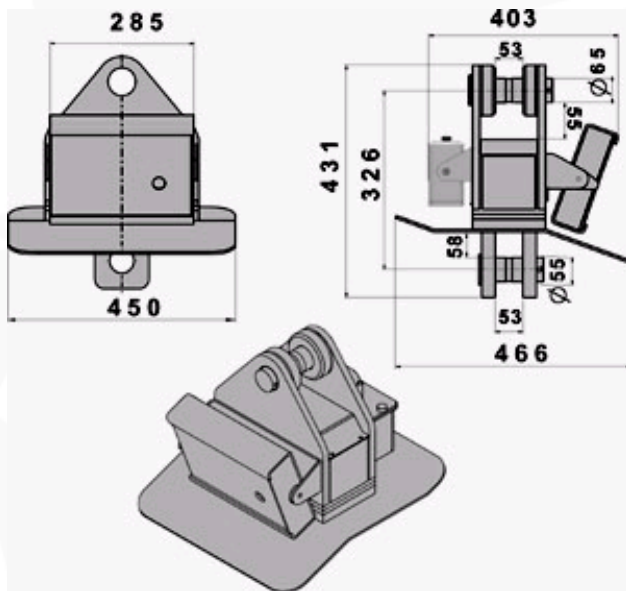


MCWHU "HULK" SERIES SUSPENDED CRANE SCALES



MCWHU with optional ring and swivelling hook



MCWHU with optional thermal shield - dimensions in mm

High capacity crane scales for industrial use, reliable and easy to use, suitable both for business warehouses as well as for more adverse environments. Available for internal factory use or CE-M APPROVED. TAKES UP LITTLE SPACE allowing the best use of the lifting devices (overhead bridge, crane, etc.). Predisposed for an upper connection ring and lower hook.

Fitted with test certificate obtained with sample weights, up to 15000 kg of capacity.

MAIN FEATURES

- 40 mm RED LED display.
- Waterproof keyboard with 5 keys which are ZERO, AUTOMATIC TARE, MODE, PRINT, and ON/OFF.
- Protective screen in plexiglas for display and keyboard.
- Precision: +/- 0.03% F.S.
- Built extremely sturdy in oven-fire painted sheet steel.
- Weighs about 86 kg.
- Remote control for up to 8 m, configurable as automatic tare only or as a 4-key remote keypad.
- Hermetically sealed rechargeable battery, with 60-hour operating time, easily replaceable.
- Digital set-up and calibration programmable directly from keyboard using a sample weight.
- Operating temperature: -10 /+80°C, with optional thermal shield (-10/+40°C for the CE-M approved model).
- Programmable digital filter and auto power saving function.
- Equipped with 230Vac 50 Hz battery charger.

SELECTABLE FUNCTIONS

- **High Resolution Weighing x 10.**
- **Net/Gross or lb/kg conversion.**
- **Accumulation.**
- **+/- Checkweighing.**
- **Percentage weighing.**
- **Counting**
- **HOLD** (lock of the displayed weight)
- **PEAK** (maximum value read)
- **Peer-to-peer**

OPTIONS ONLY AVAILABLE AT TIME OF ORDER

- Radio frequency transmission to remote indicator up to 70 m indoors
- WI-FI interface
- Thermal printer option box attached to the indicator
- Thermal shield for protection from infrared rays and high temperatures
- Remote weight indicator (see DFW., 3590., TRS., GLH.. series weight indicators) with printer or other accessories connected through radio frequency
- Separate 230 Vac 50 Hz recharging station for continuous use of various batteries
- ATEX version
- Date and Time

Available versions

Code	Max Capacity kg	Division kg	CE-M Division kg
MCWHU10	10000	2	
MCWHU15	15000	2	

MCWHU25	25000	5
MCWHU35	35000	10
MCWHU10M M	10000	5
MCWHU15M M	15000	5

Indicator connectable to MCWHU through optional radio transmission

Code	Description
3590KR01	3590 KR series indicator with "AF01" version for Totalisation and dosage systems, complete of ABS transport case, built-in rechargeable battery, 4 connectors for platform connection, and battery charger.
DFWPM	Portable radio frequency weight repeater, for DFW indicators and MCW crane scales. Handy, compact, easy to use and consult.
DFWPMUSB	Portable radio frequency weight repeater, for DFW indicators and MCW crane scales. Handy, compact, easy to use and consult. Fitted with USB port for quick connection to PC.
DFW06XPCA	5 keys, LCD 25mm backlit display, built-in rechargeable battery, IP65 enclosure, 4-channel A/D converter, RS232 RJ plug, external 110-240 Vac adapter

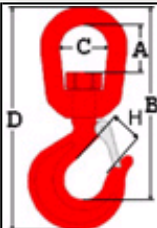
Options only available at time of order

Code	Description
RFITR	Integrated radio interface for crane scale/pallet truck scale , complete of RS232 port. Max. functioning distance in appropriate conditions: 70m indoors, 150m outdoors. Up to 50 configurable channels (must be combined with another radio modem)
OBRF	External radio interface, fitted in ABS case with IP65 protection and a 3-metre cable, for weight indicator/repeater . Max. functioning distance in adequate conditions: 70m indoors, 150m outdoors. Up to 50 configurable channels (OBRF must be combined with another radio modem).
OBRFUSB	868MHz radio frequency module for PC with USB input, selfpowered, connectable to USB ports. Fitted with USB connection cable. Max. functioning distance in appropriate conditions: 70m indoor, 150m outdoor. 50 available channels, easily programmable from the PC.
OBRF232	868 MHz radio frequency module for PC with RS232 9-pole input, connectable to RS232 ports. Fitted with connection/power supply cable. Max. functioning distance in appropriate conditions: 70m indoors, 150m outdoors. 50 available channels, easily programmable from PC.
ALMEM	Alibi memory (fiscal memory) with time/date; max. 120.000 weighs
TPRP	Thermal printer for panel mounting with >50mm/sec. speed, 203 dpi resolution, 24/40 columns, 58 mm width; 50 mm roll diameter. 5 VDC power supply.
DFCLK	Real Time Clock (Time/date)
WIFIT	WI-FI interface for wireless connection (through access point) to the company computer system.
MCWHSH	Thermal shield for protection from high temperatures (the crane scale can function with a max. environment temperature of 80°C. The thermal shield prevents the heat (in the form of infrared rays) beneath the shield to quickly increase the crane scale temperature. With the thermal shield it is possible to quickly pass over heat sources having a strong infrared ray emission. The amount of time which it can be above these sources depends on the type of source energy and the distance of the crane scale from it.)
MCWHBK	Backup battery kit for MCWHU inclusive of spare battery pack and battery charger


Accessories

Code	Description
GG15	Swivelling bottom hook with safety lock 15 t
GG22	Swivelling bottom hook with safety lock 22 t
GG30	Swivelling bottom hook with safety lock 30 t
CA15	Connection ring 15 t
CA30	Connection ring 30 t
CA40	Connection ring 40 t
UKPLUG	Power adapter from Schuko to BS1363.
TECMAN	Printed technical manual (free, if downloaded from the web) NET PRICE
UMAN	Printed user manual (free, if downloaded from the web) NET PRICE

MEASUREMENTS OF HOOKS AND RINGS IN MM

	Code	A	B	C	D	H
	GG15	95	354	96	455	63
	GG22	121	432	120	565	80
	GG30	133	568	139	667	88
	CA15	174	110	200		
	CA30	270	180	340		

©2005 dinlargeo

	CA40	292	190	350		
---	-------------	-----	-----	-----	--	--