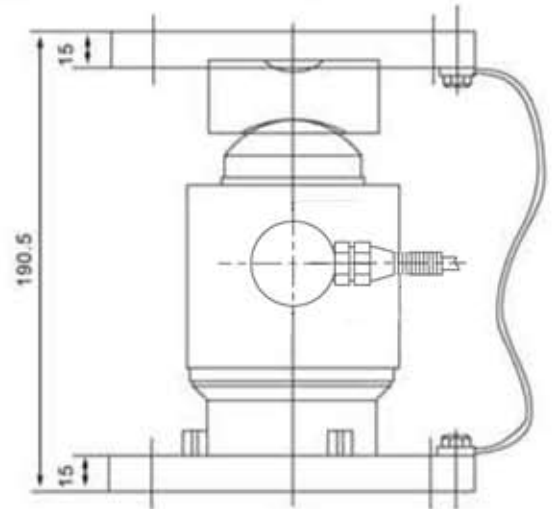


## ZSKBB/ZSKBC-A-ASS Loadcell

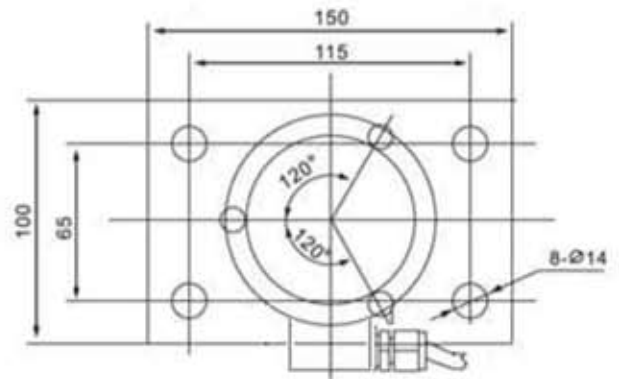
## ZSKBB/ZSKBC-A-ASS



' Front View '



' Top View '



Truck scale,railway scale, axle-load scale,floor scale

### TECHNICAL PARAMETER

4Wires:Exc+(Red);Exc-(Black);Sig+(Green);Sig-(White)

Rated capacities(Emax)	20,25,30,50,60,75,100 t	Temperature range , compensated	-10°C ~ + 40°C
Sensitivity	1.0 ± 0.002 mV/V	Temperature range , operating	-30°C ~ + 70°C
Total error	C3	Maximum safe overload	200%F.S
Creep error (30 min)	± 0.016%F.S	Lateral Load Limit	400%F.S
Zero balance	± 1%F.S	Ultimate Overload	250%F.S
TC ZERO	± 0.0175%F.S/10° C	Excitation recommended	10-12V DC
TC SPAN	± 0.015%F.S/10° C	Excitation,maximum	15V DC
Input resistance	ZSKBB:650 ± 10 Ω / ZSKBC:1080 ± 20 Ω	Protection class	IP68
Output resistance	ZSKBB:610 ± 3 Ω / ZSKBC:1005 ± 5 Ω	Construction	Alloy Steel / Stainless Steel
Insulation resistance	≥5000M Ω	Cable	Length : 14m Diameter : Φ 6mm