

## Product Description

The stainless steel junction box is designed to connect up to 4 load cells in parallel.

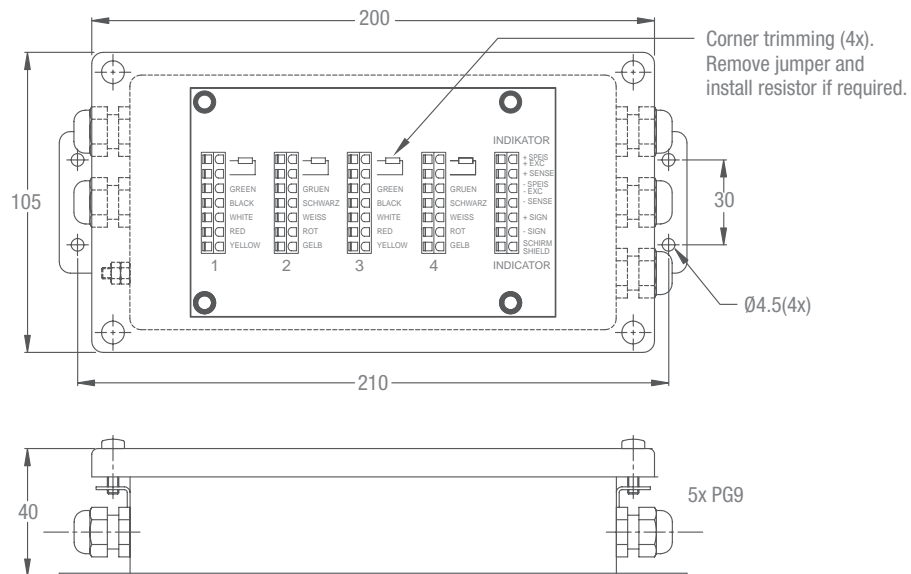
The junction box can be connected with a shielded 6-wire cable to the instrumentation.

Corner trimming by resistors.

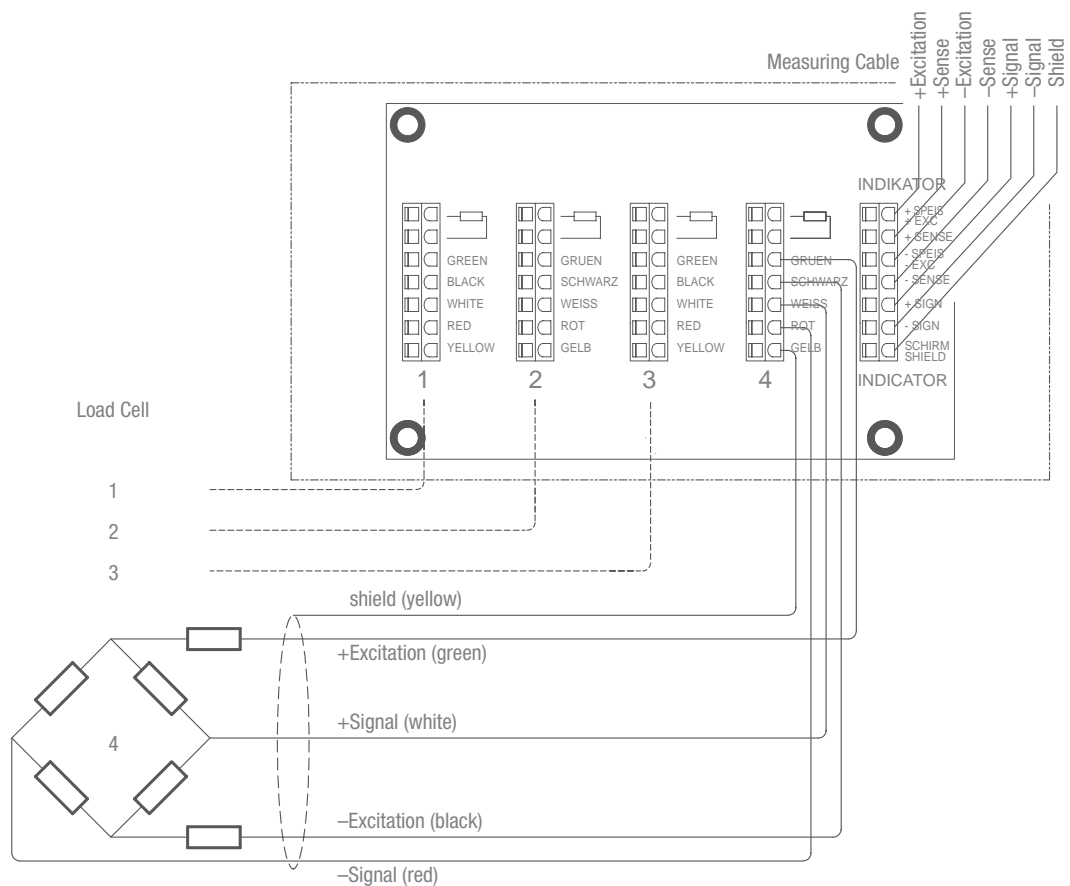
## Key Features

- Connection for 4 load cells
- Rugged industrial box
- Cable connection with clamping terminals
- Protection IP65

### Dimensions (in mm)



### Wiring



### Notes

- Cable gland PG9 for cable diameter 4...8 mm.